

# BY-PASS GRAPPLES

## MANTSINEN By-Pass Grapples TECHNICAL SPECIFICATIONS



By-pass grapple  
for trucks  
and wagons.

### BY-PASS ROUNDWOOD GRAPPLES

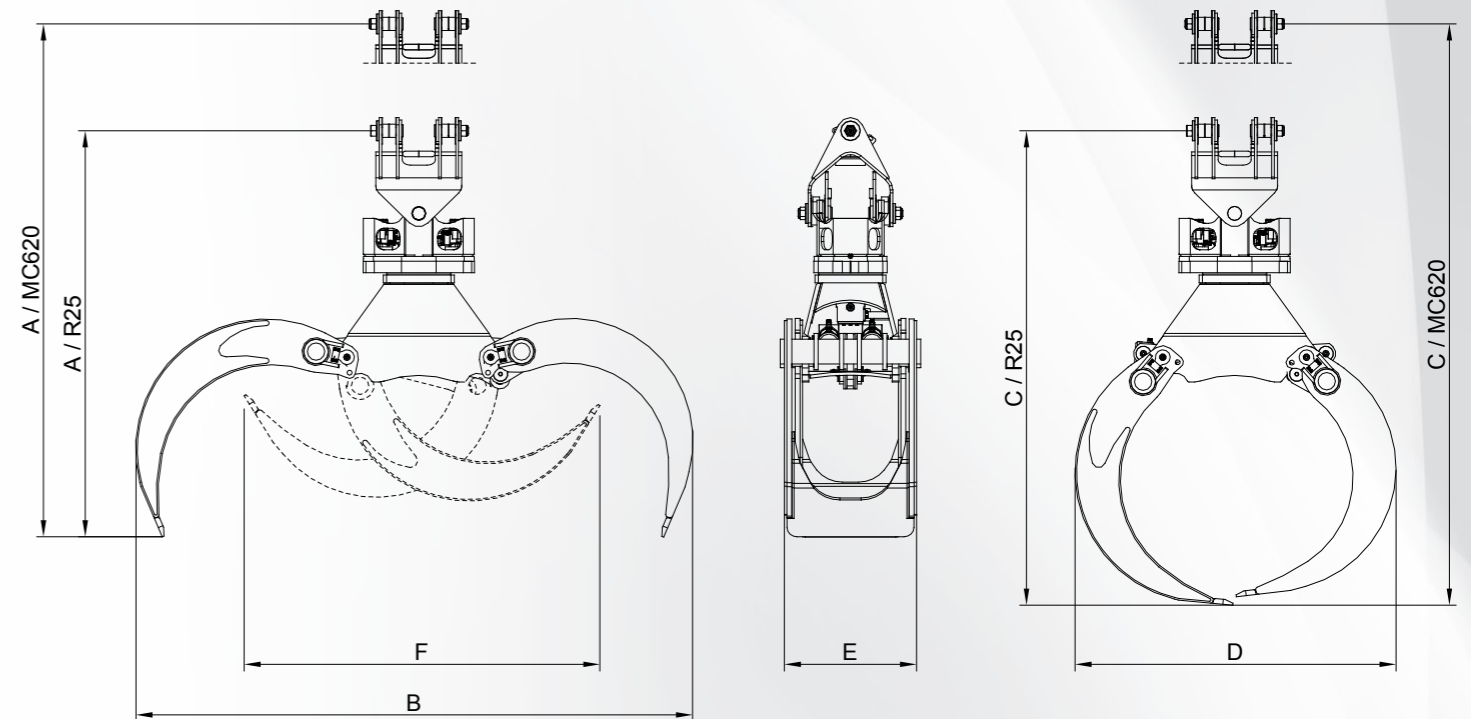
Mantsinen Logistic Services has served as an ideal testing ground for our roundwood grapples: 20 million tons of round wood handled annually requires a sturdy but light design. Sizes are available from 1,0 m<sup>2</sup> to 2,0 m<sup>2</sup>.

Like most Mantsinen attachments, roundwood grapples are available with either quick coupler or fixed rotator.

When equipped with an adapter for Mantsinen quick coupling system, the grapple can be changed in a few minutes.

WITH FIXED ROTATOR

WITH QUICK COUPLER



Model	Area m <sup>2</sup>	A / R25 [mm]	A / MC620 [mm]	B [mm]	C / R25 [mm]	C / MC620 [mm]	D [mm]	E [mm]	F [mm]	Weight R25* [kg]	Weight MC620** [kg]	SWL [kg]
RGB 10	1,0	2 470	2 990	2 900	2 680	3 180	1 810	800	1 800	1 530	1 480	10 000
RGB 14	1,4	2 470	2 990	3 380	2 890	3 400	1 960	800	2 160	1 600	1 550	10 000
RGB 20	2,0	2 800	3 320	3 900	3 220	3 740	2 130	800	2 770	1 800	1 750	10 000

\* The weight with fixed rotator, but excluding link

\*\* The weight with adapter, but excluding quick coupler and link

- Also available with R4 fixed rotator and MC720 quick coupler

Specifications subject to change without prior notice.  
The photographs and drawings in this brochure are for illustrative purposes only.  
Refer to the Operator's Manual for instructions on the proper use of this equipment.

